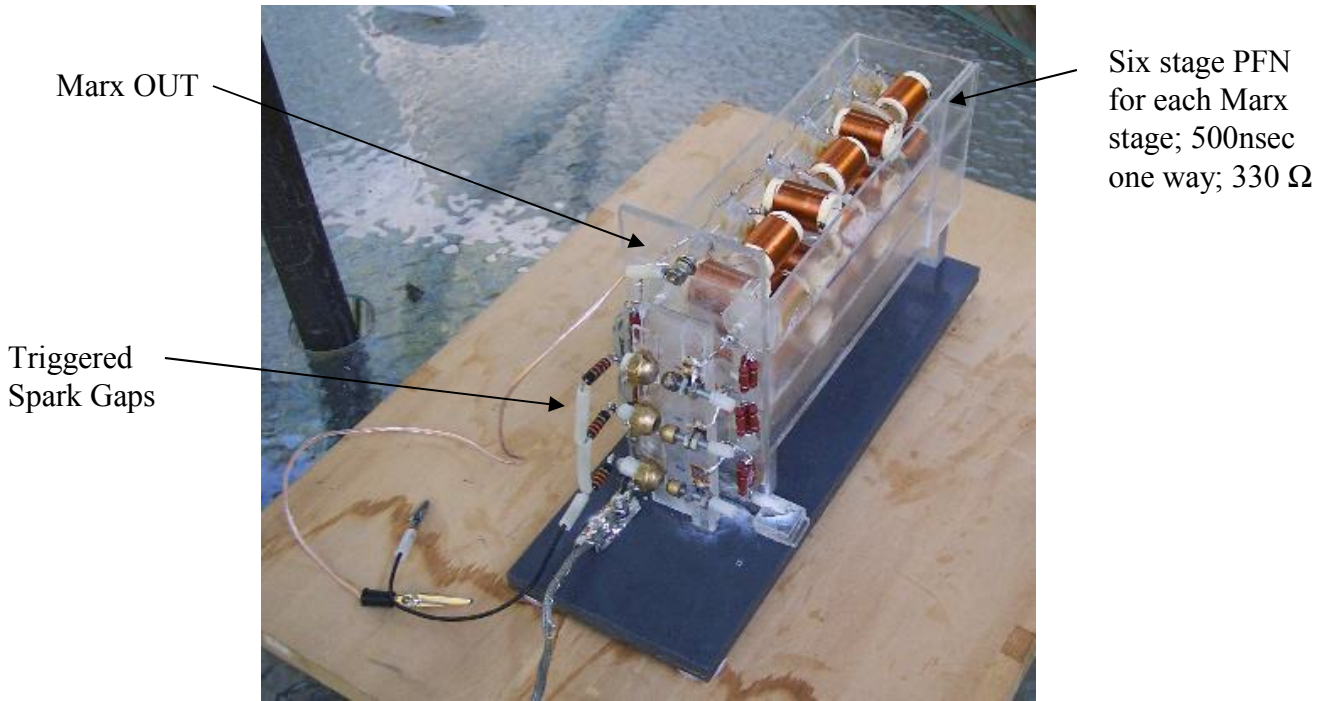


12 KV 3 Stage Marx PFN/ 2J55 Pulse Modulator

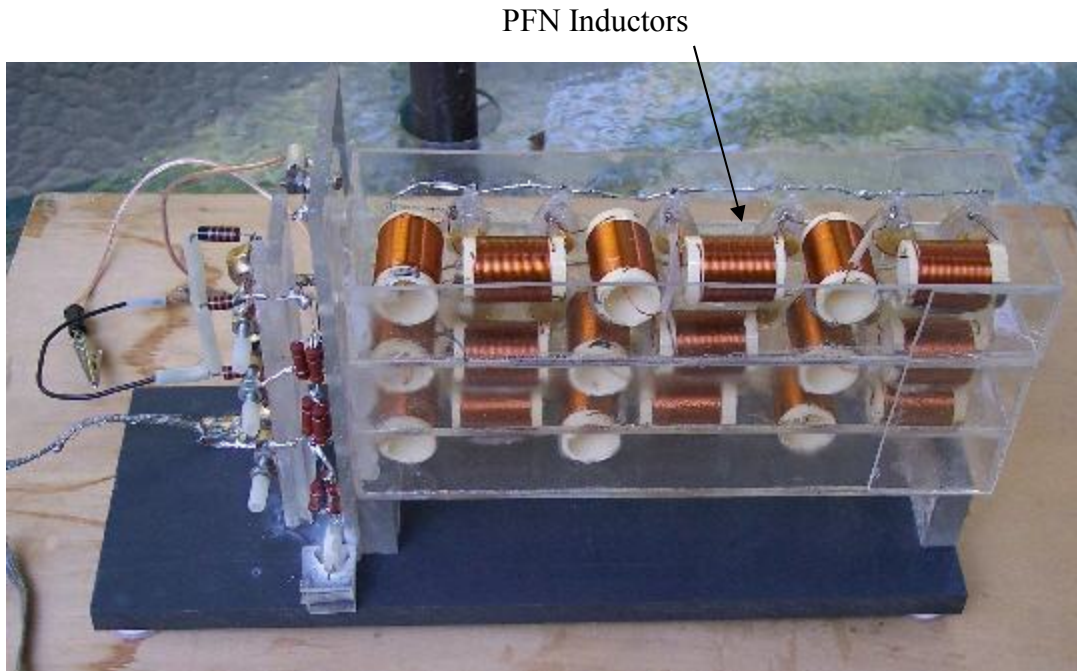
1K Ω Impedance ; 1 μ sec pulse

13 Sept 11

Pages 1&2 are photos; pg 3 B2Spice simulation schematic

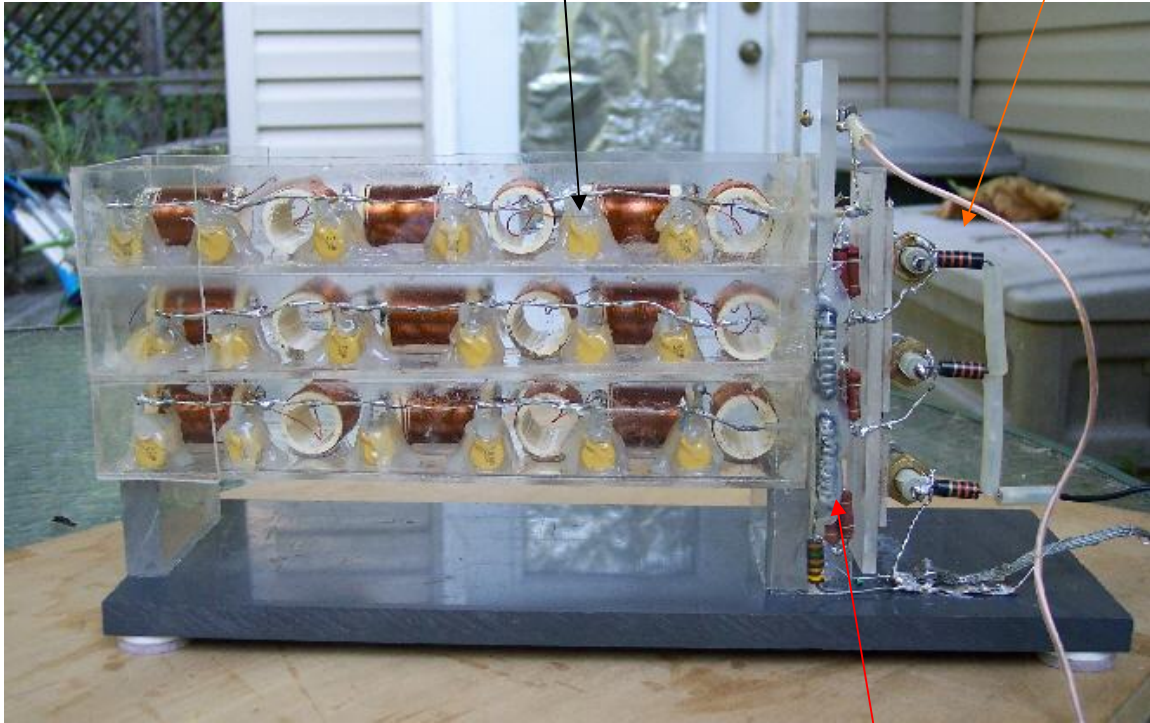


GND



PFN Capacitors

Trigger electrode Isolation Resistors; 33K ea



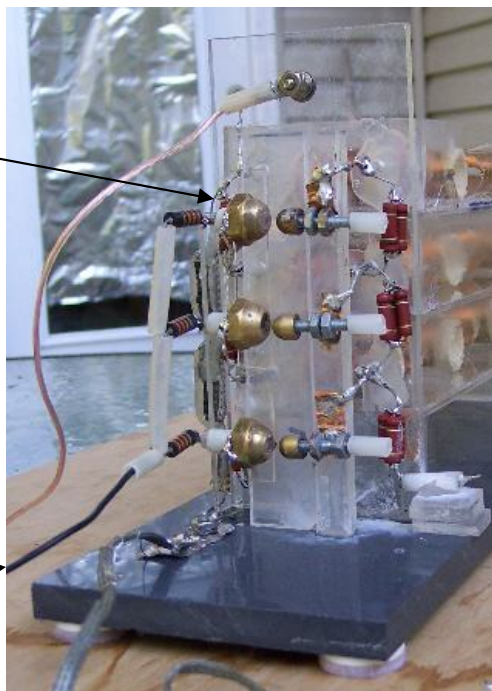
Trigger IN

HV Diode Array for reversal

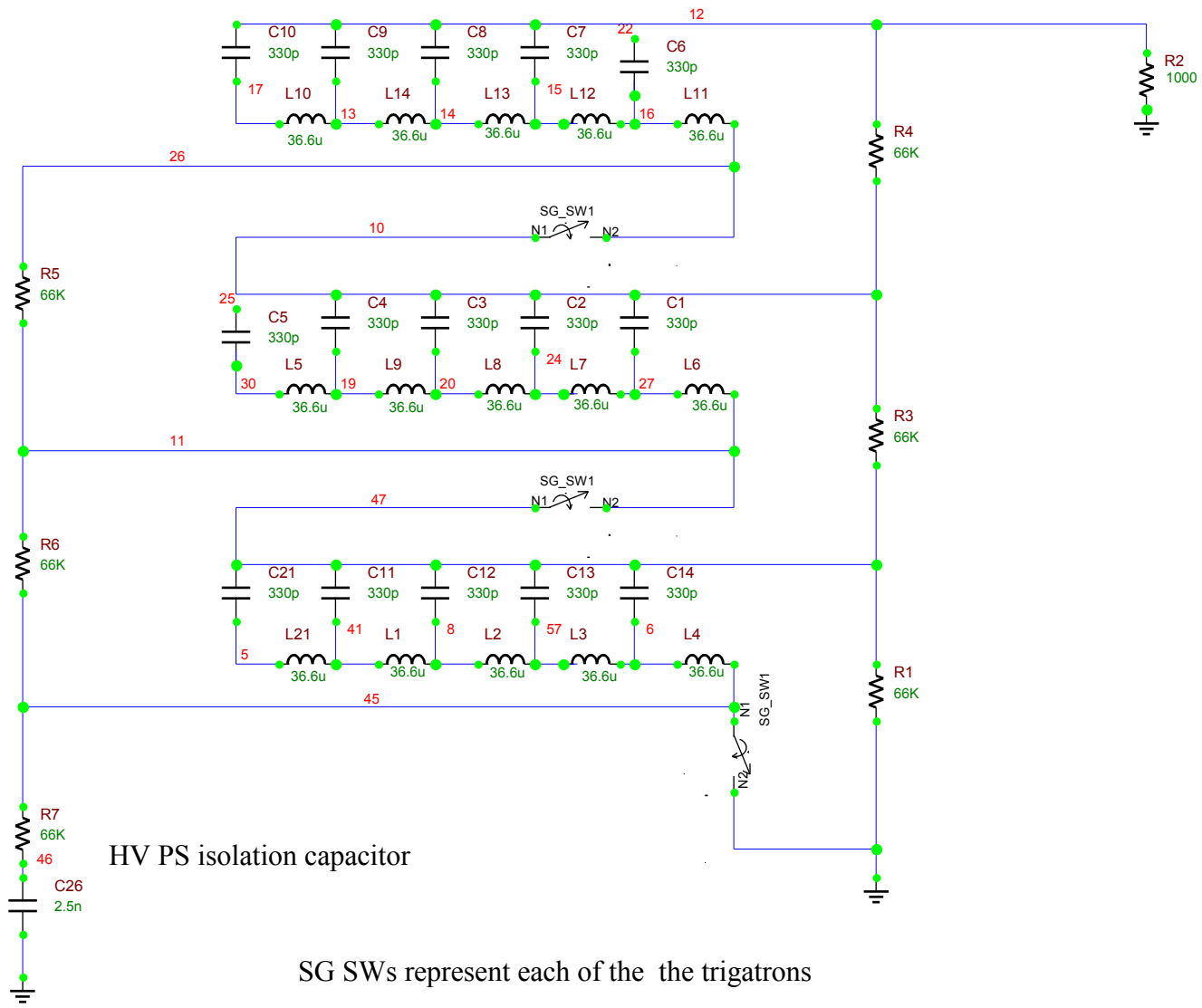
Trigatron SGs

Right resistor charging rail; three 200KΩ in parallel ea.

Trigger IN



Panasonic 3KV 1nF ; three in series ea.



12KVMarxPFN_2B_Transient_0_Graph

